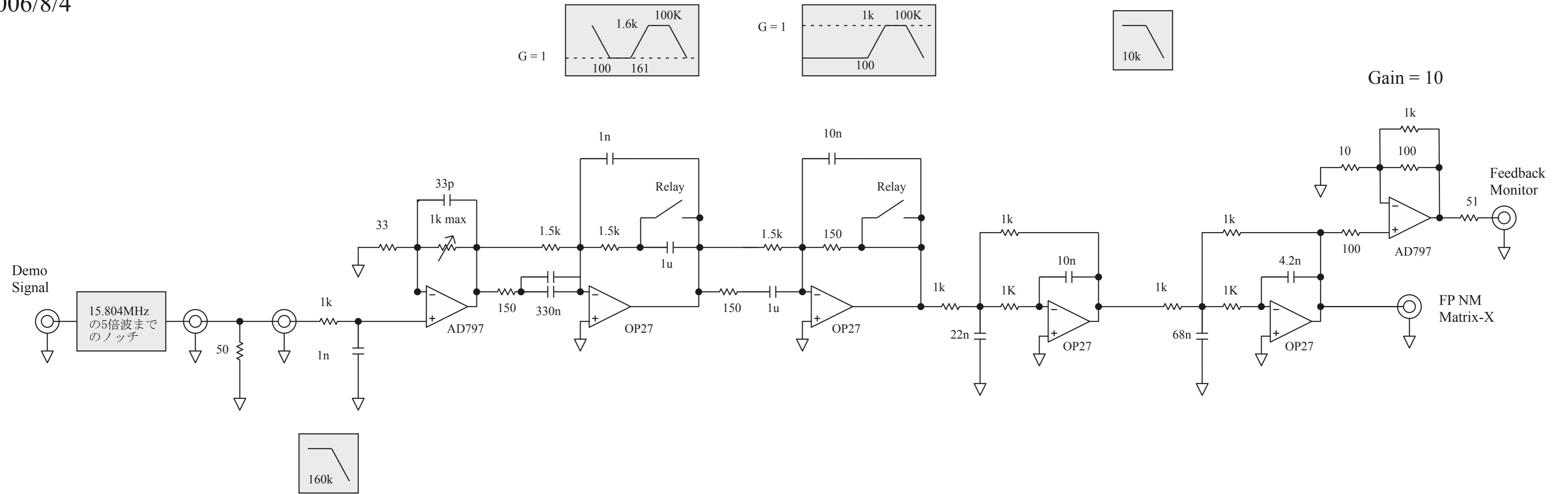
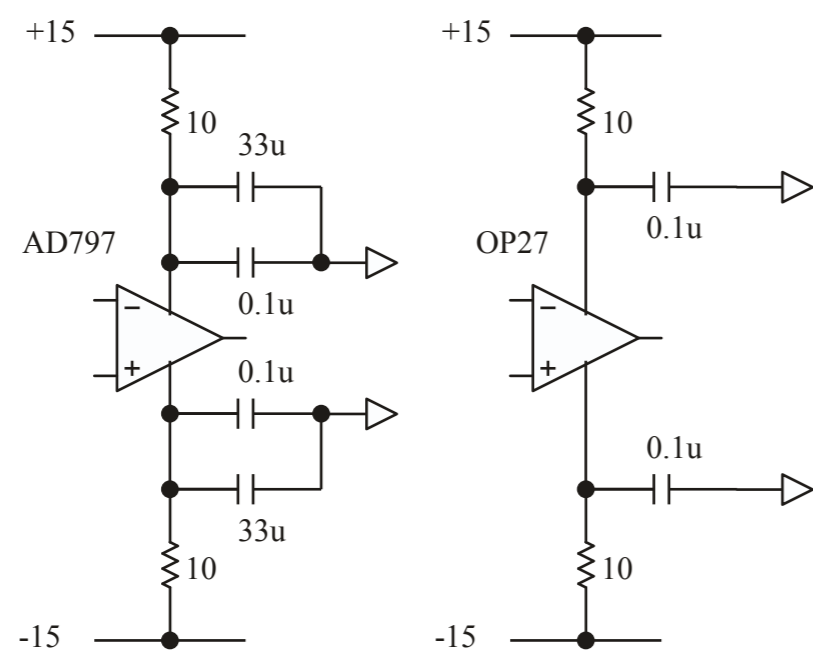


FP Arm Servo
2006/8/4

10 kHz 4Pole LPF



Power Supply for IC



Power Supply

