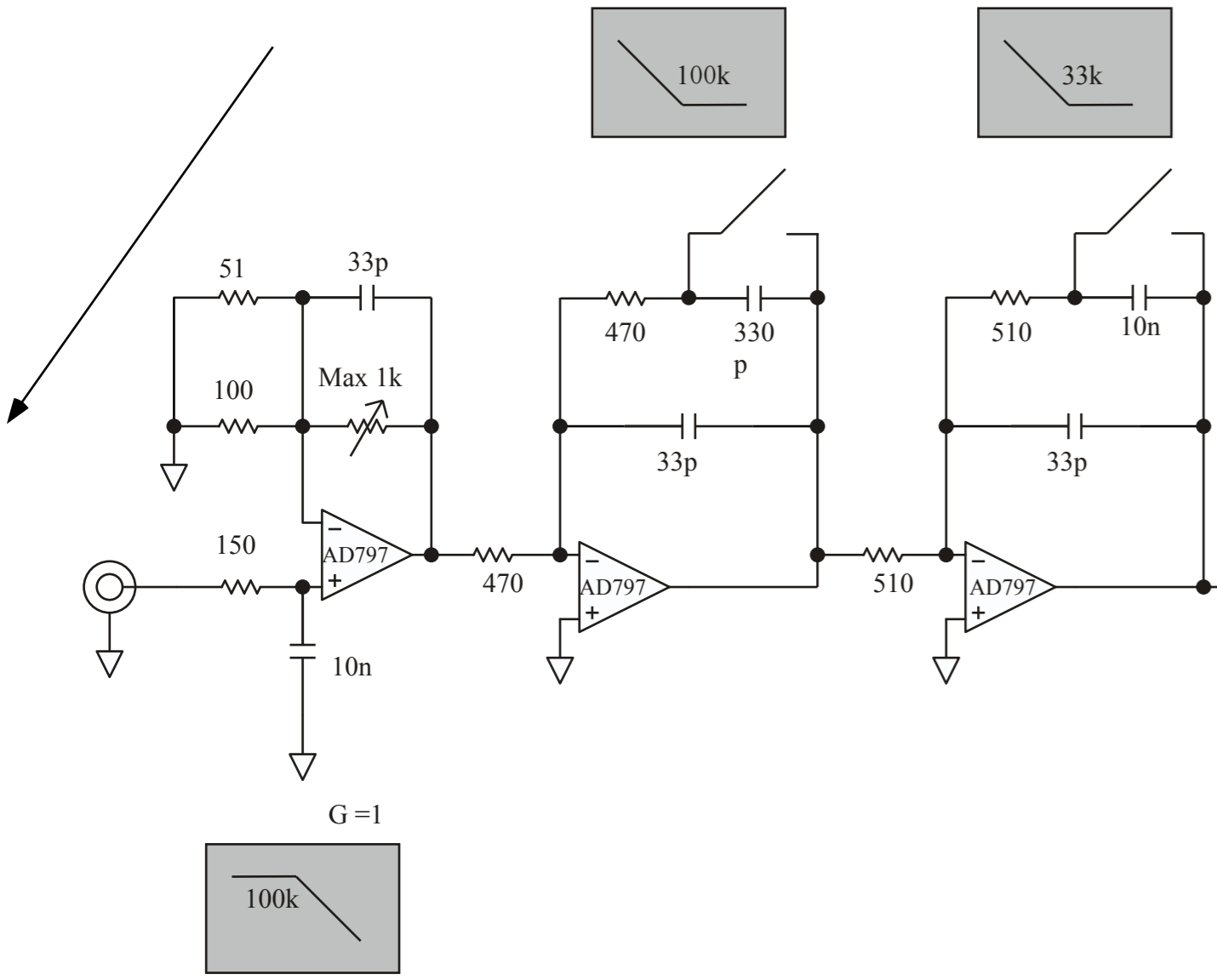
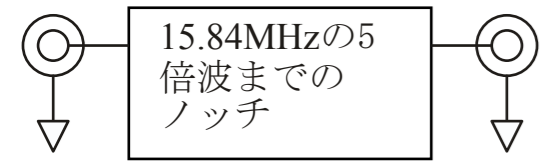


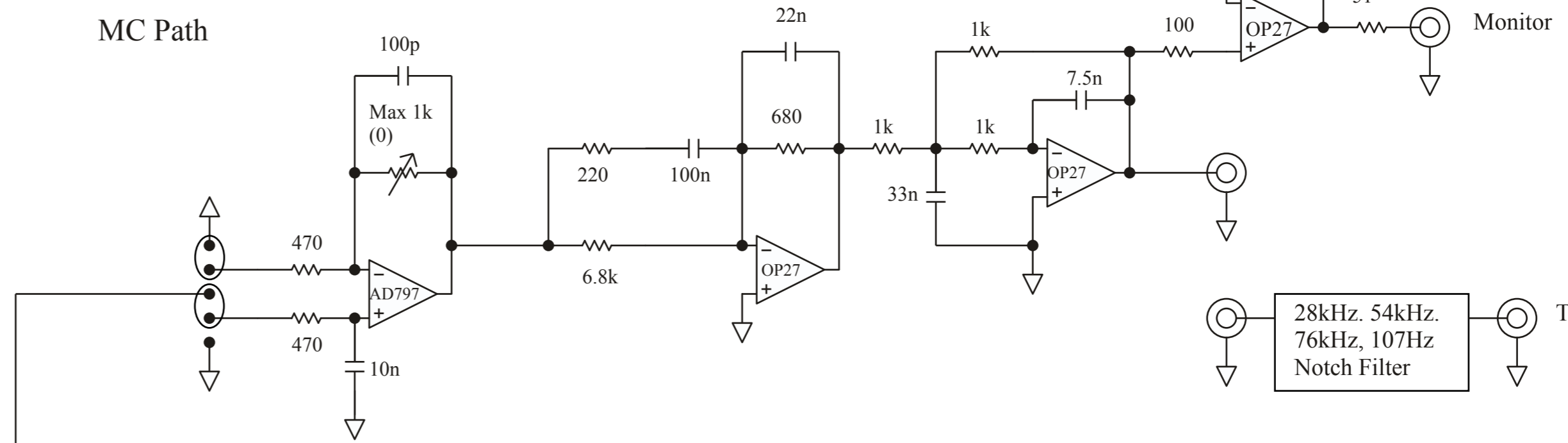
# Primary Servo

2006/8/4

Error Signal

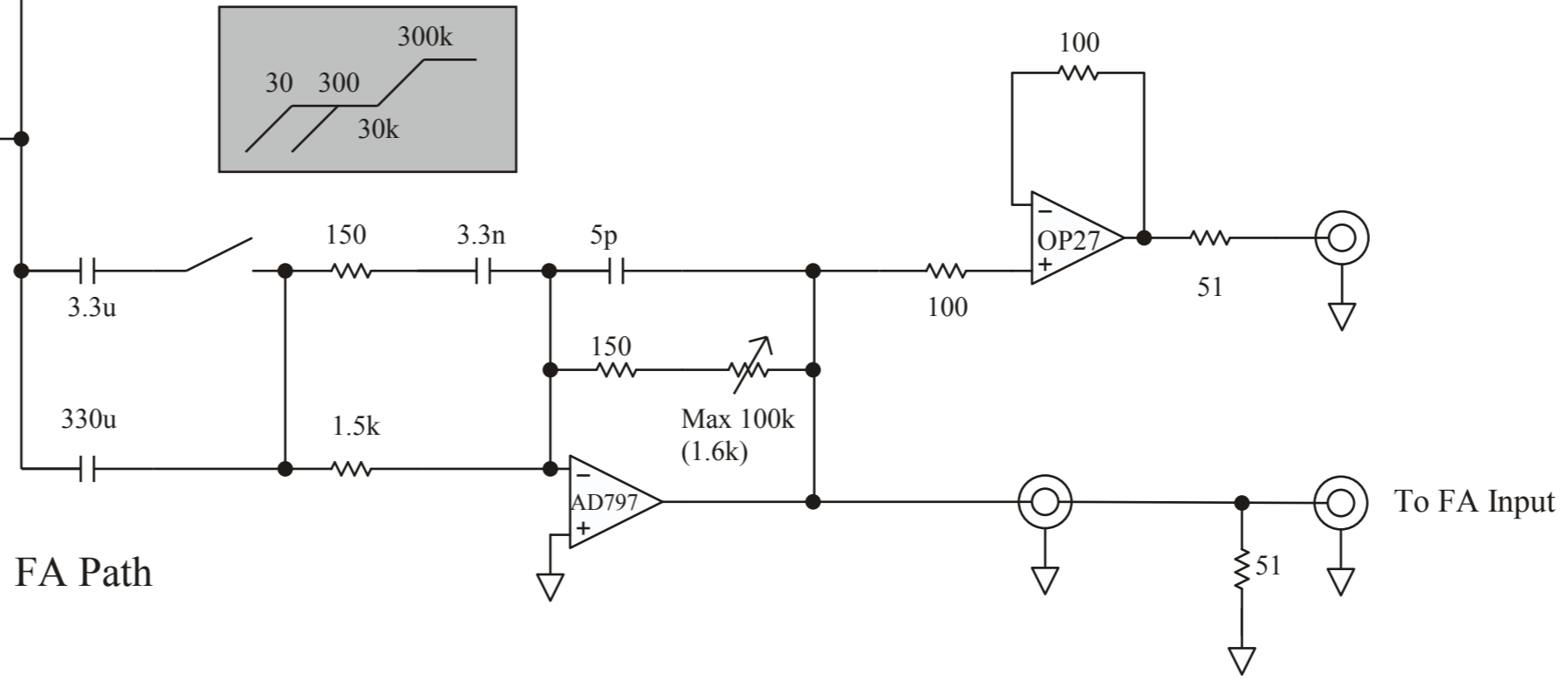


MC Path

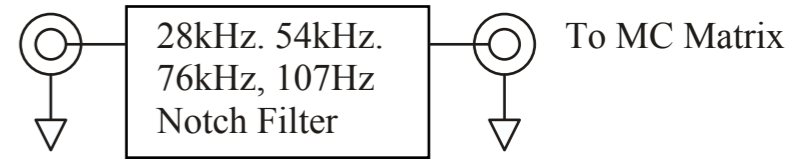


Monitor

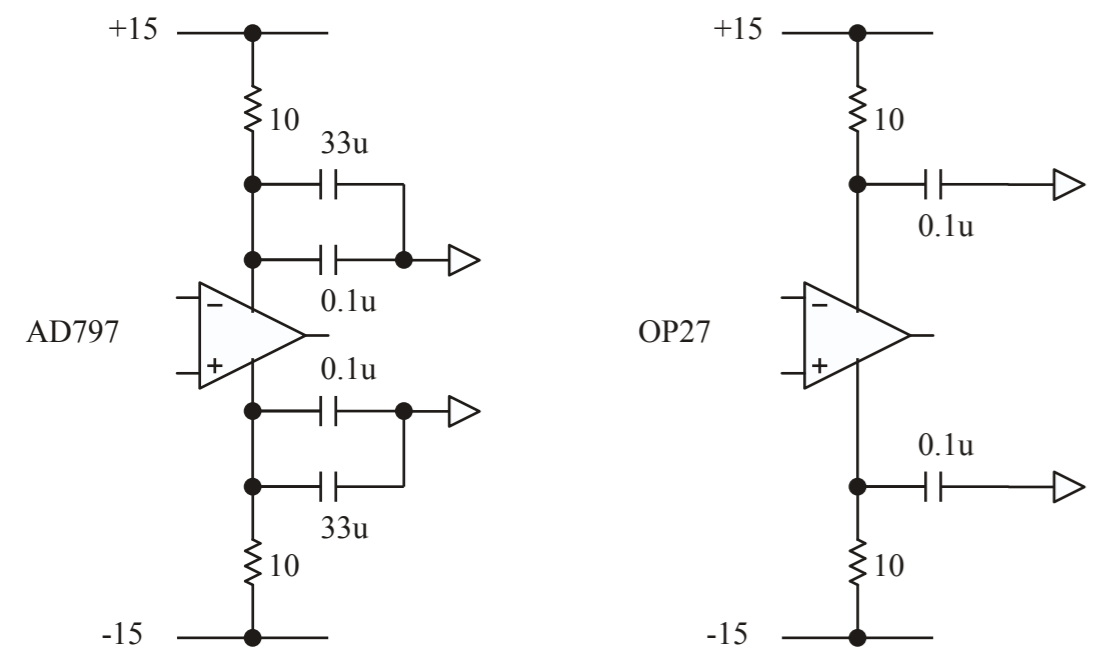
FA Path



To FA Input



## Power Supply for IC



## Power Supply

