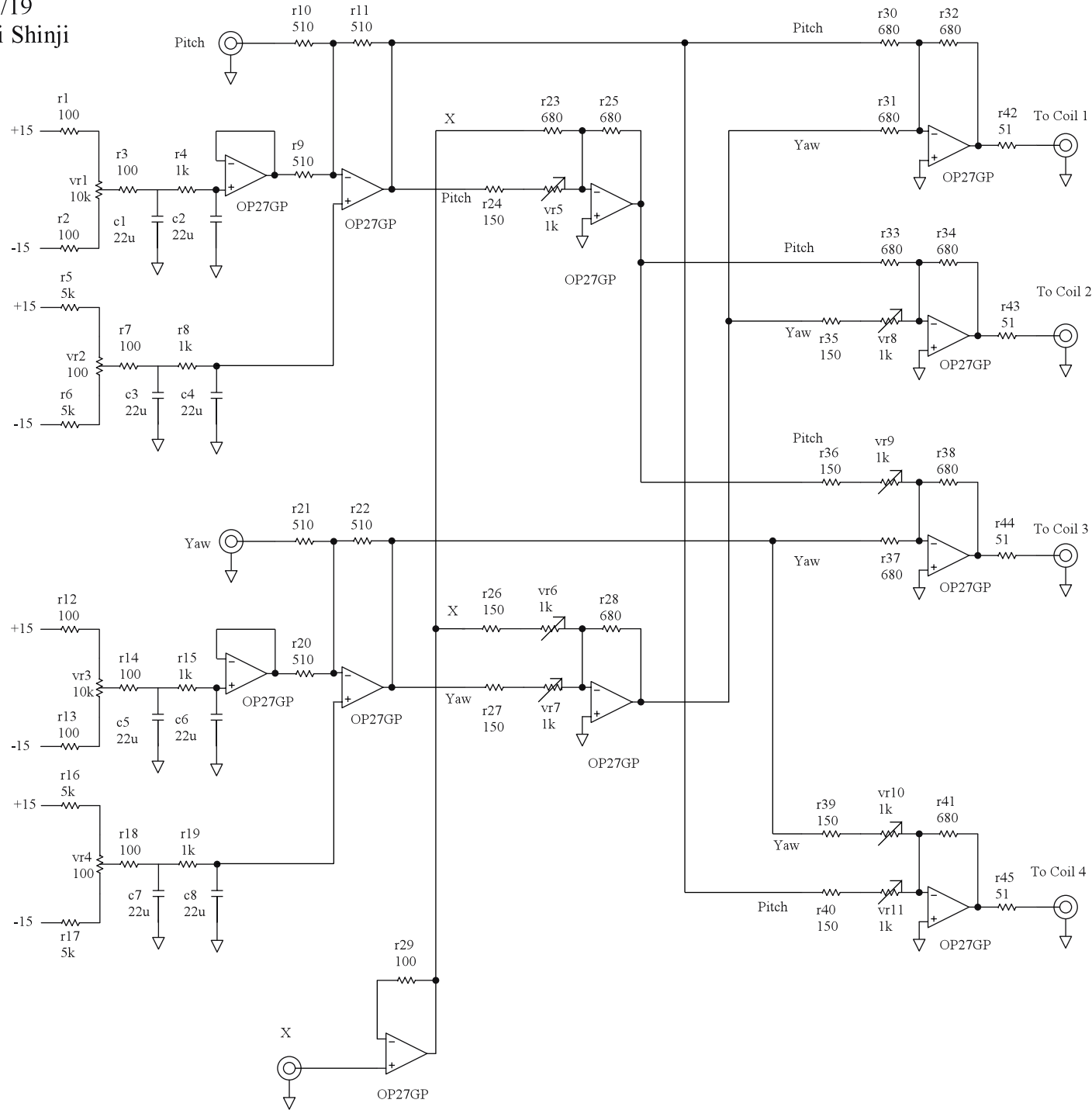


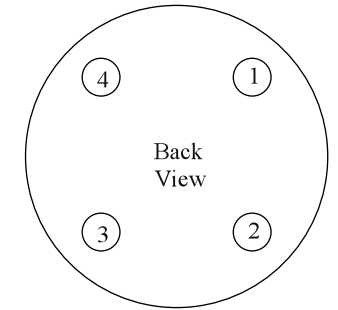
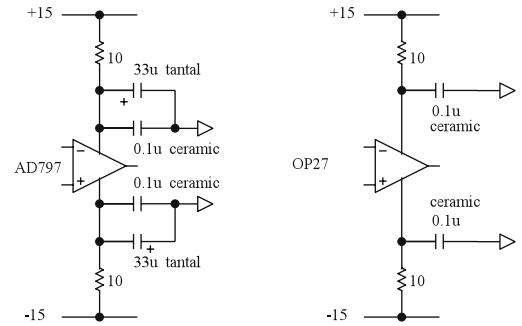
MC In Out Mirror Matrix

2004/5/19

Miyoki Shinji



Power Supply for IC



Power Supply

