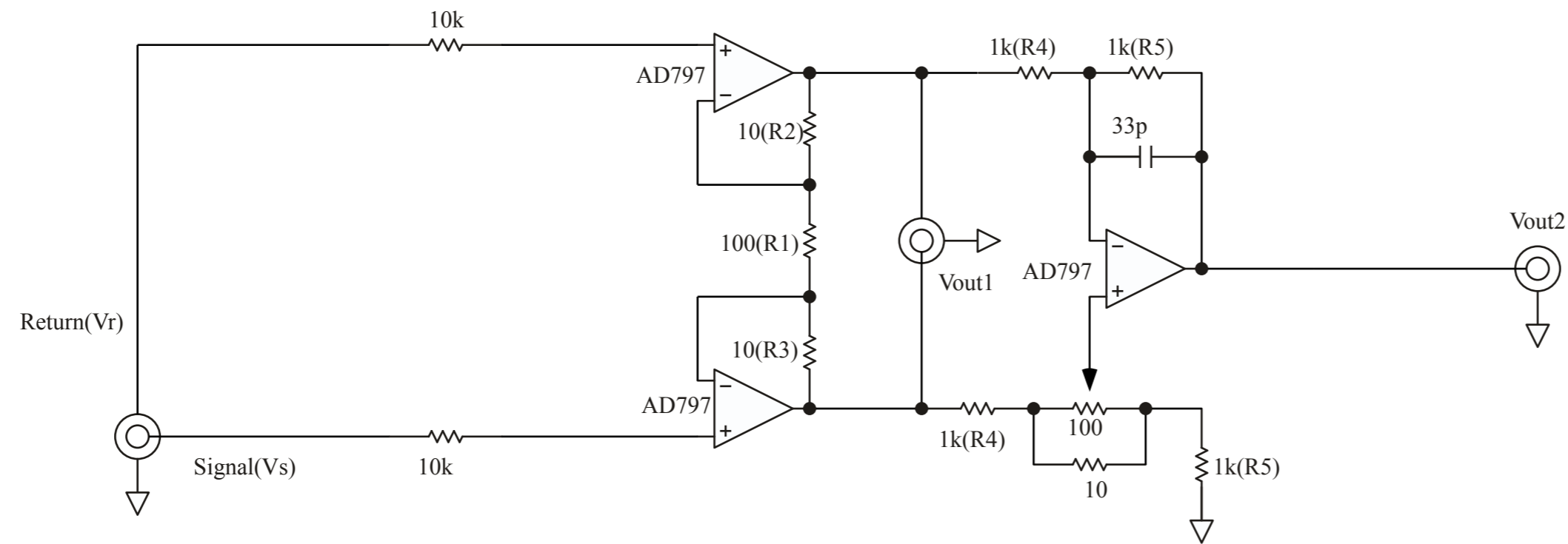
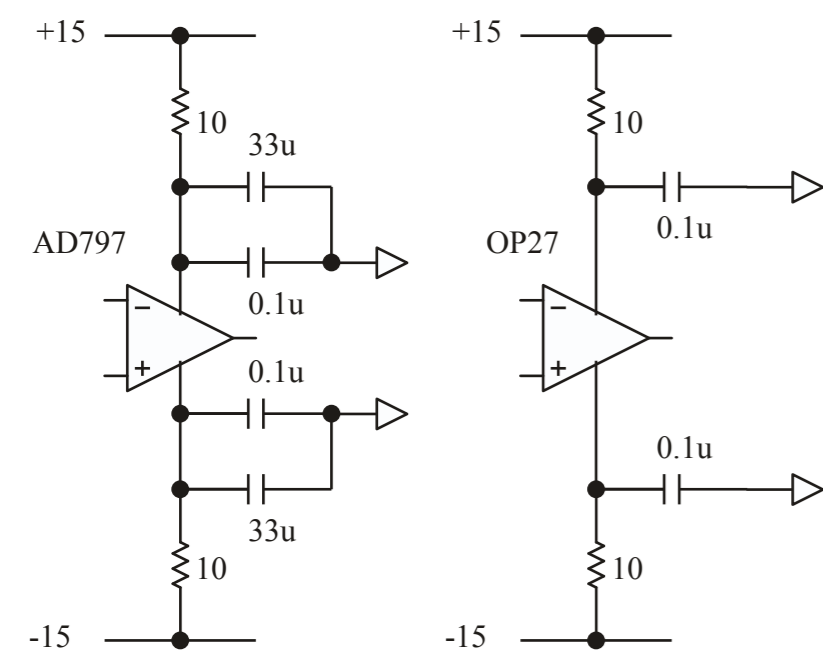


$$V_{out} = (1 + (R2 + R3)/R1) * (R5/R4) * (V_s - V_r)$$



Power Supply for IC



Power Supply

